

Made in UK

Quality Acrylic Baths

Manufactured in the UK

L Shape Bath Installation Instructions

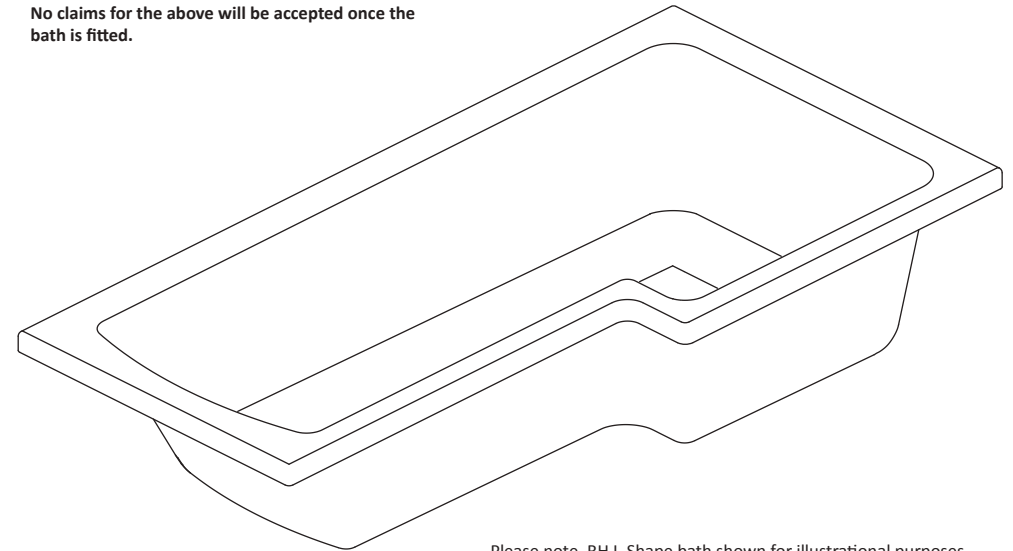
- Read through the instruction booklet first before commencing any work. If you are unsure of any aspect of the installation, we recommend you contact a reputable tradesperson.

- Prior to fitting your bath, carefully remove all the packaging and film from the bath and examine the bath for damage and suitability of colour match.

- Check the panel fit and match prior to installation.

- Any refixing costs or claims for wrong colour match and/or any other fault will not be accepted after fixing.

No claims for the above will be accepted once the bath is fitted.



Please note, RH L-Shape bath shown for illustrational purposes.

Please Note:

- Baths should be set at supplied panel height.
- The baseboard is encapsulated into the bath.
- Half the panel clips supplied should be secured (if possible) to the floor.
- Panel clips are not required on double ended baths.

- Before the final fixing of the bath, fit tap and waste fittings using a suitable sealing compound. When complete place the bath into position, re-check levels and make any final adjustments necessary. Finally secure the feet to the floor and the wall brackets to the wall. Movement may occur if not fitted correctly.
- CHECK THAT THE BATH RIM IS LEVEL.

V3/171017
1003

25
Year
Guarantee

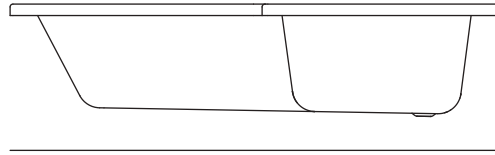
Ref:68/4
Version 3

L Shape Bath

Installation Instructions

Before you start

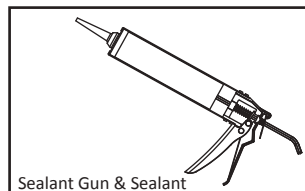
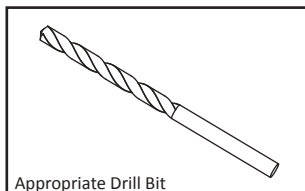
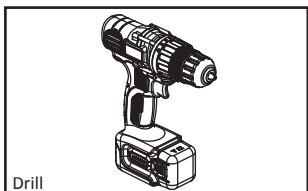
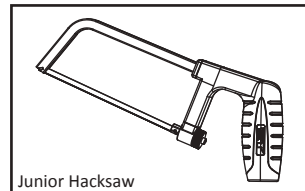
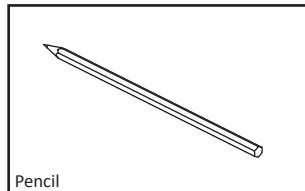
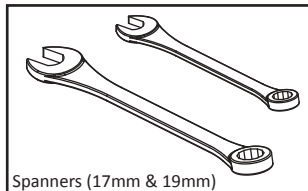
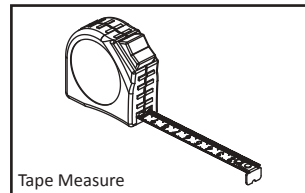
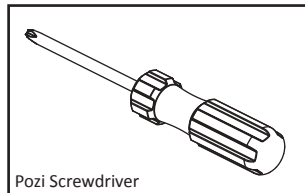
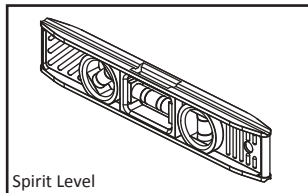
- Before fixing remove ALL protective covering and examine carefully. The polythene film must be removed in full and the bath checked for any visible damage.
- Unpack and check the product is complete and undamaged.
- Have the correct tools available.
- Please notify the retailer immediately of any damage or faults. The manufacturer cannot be held responsible for any installation costs that may arise from damaged or faulty product being installed. The guarantee does not cover impact related damage. Please dispose of all packaging with due regard to the environment.



Safety

- Handle the bath with care.
- This product is heavy and requires two persons to carry.
- When drilling walls, check first for hidden pipes and cables.
- Use safety eyewear when drilling.
- Keep small parts away from children.

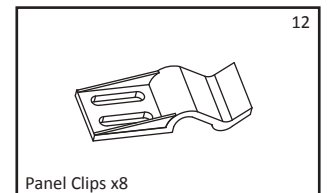
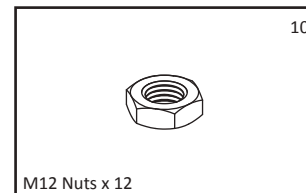
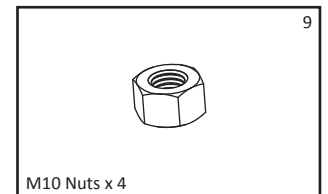
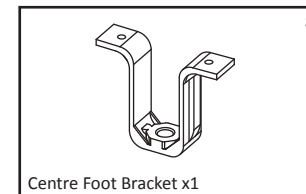
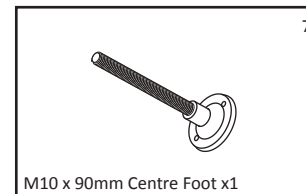
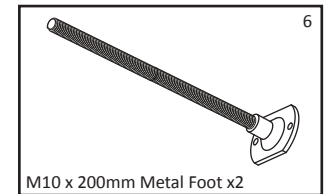
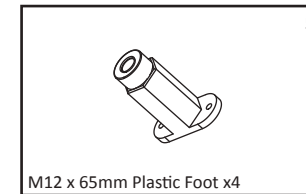
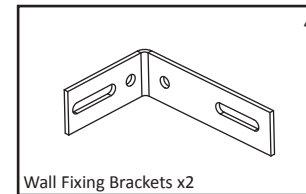
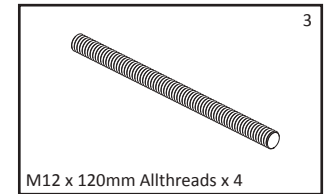
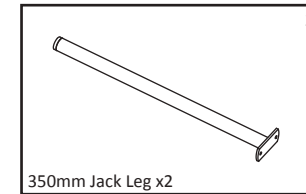
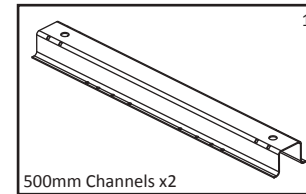
Tools required



*Tools shown not supplied

*Ensure drill bit used is suitable for wall surface!

Parts provided



- We have taken great care to ensure that this product reaches you in perfect condition. However should any parts be damaged or missing please contact your point of purchase. This does not affect your statutory rights. In addition if you require replacement parts your point of purchase will be happy to assist.

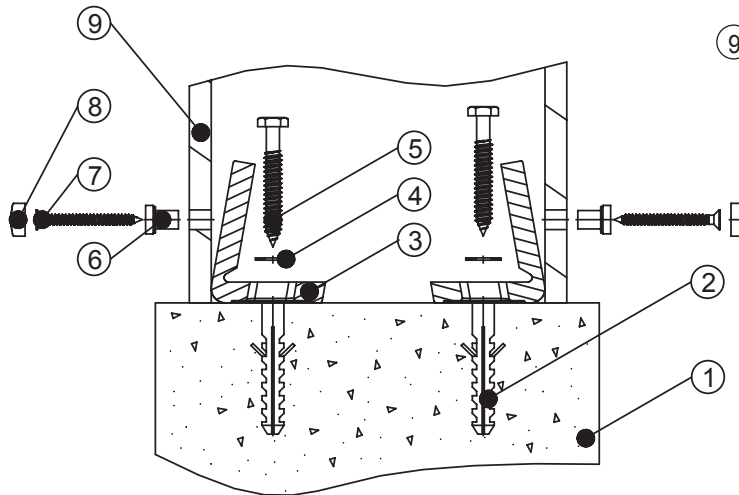
- You may have additional spare parts, please discard with due regard to the environment.

Installation Instructions For Floor Fixing Kit

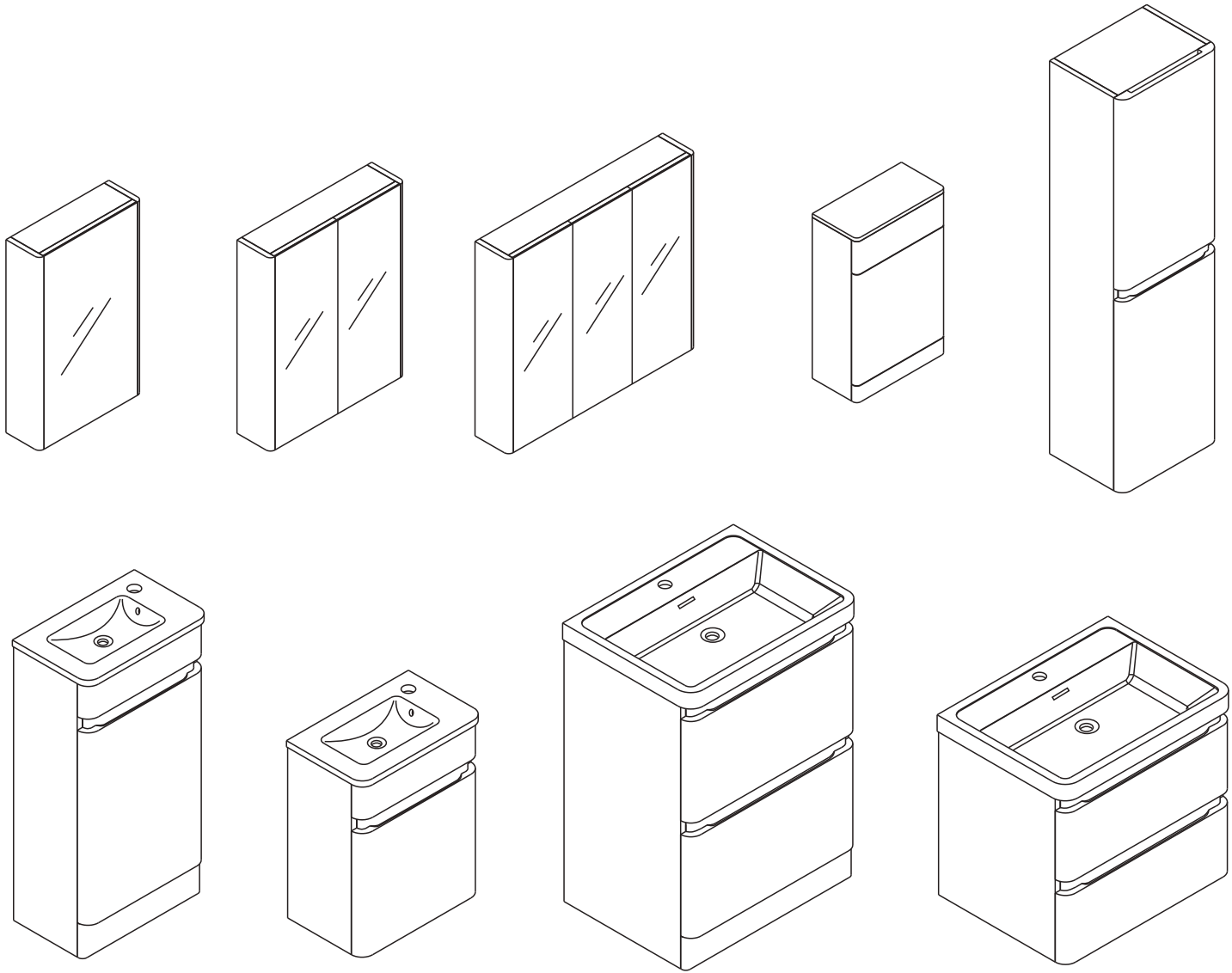
1. The WC pan should be installed on a flat surface and placed in its final intended position.
2. Using the diagram below as a guide, position each plastic floor fixing bracket inside the walls of the WC pan directly behind the fixing holes.
3. Mark off and using the plugs, washer and fixing screws provided, drill and secure the plastic bracket to the floor. You will need to move the pan away from the brackets to make space for fixing.
3. With the fixing brackets firmly in position, replace the WC pan back in position. Check that the fixing brackets line up with the holes in the WC pan.
4. From the outside wall of the WC pan, place the plastic cover gasket over the side fixing screw and thread into the floor fixing bracket. Take care not to over-tighten.
4. Place the cover caps over the head of the side fixing screws, If required use a small amount of silicone sealant to assist with attaching the cover caps permanently.
5. Check WC is firmly fixed.

Diagram Key

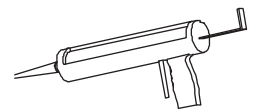
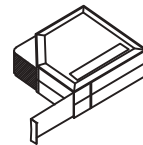
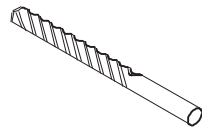
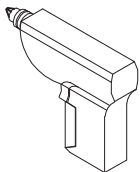
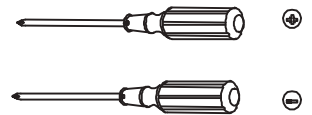
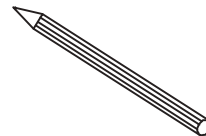
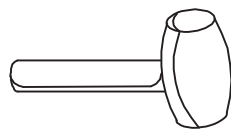
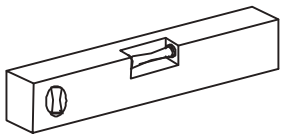
- ① Flat surface
- ② Plugs
- ③ Plastic floor fixing bracket
- ④ Washer
- ⑤ Floor fixing screw
- ⑥ Plastic cover gasket
- ⑦ Side fixing screw
- ⑧ Cover cap
- ⑨ WC pan



PORTLAND RANGE BATHROOM FURNITURE FITTING GUIDE



Tools required for installations



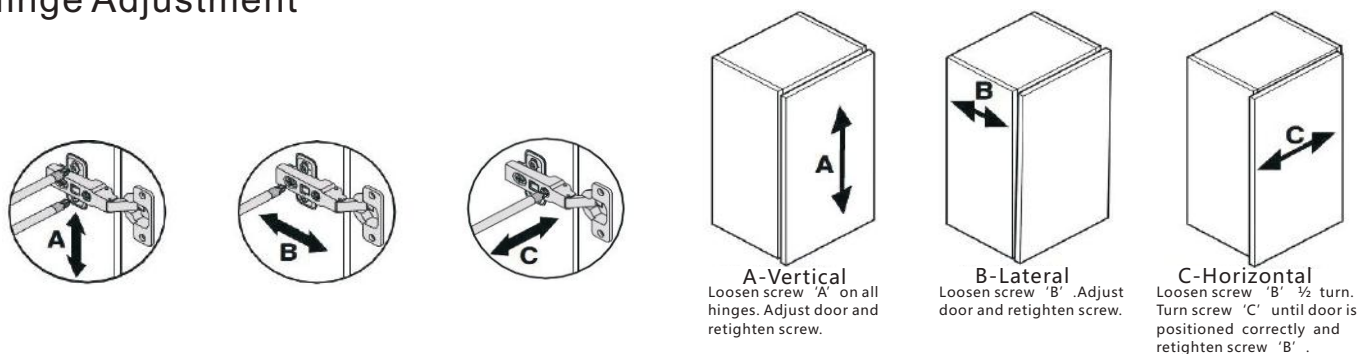
Note: For safety reasons Unit must be secured to the wall using suitable fixings (pre-drilled holes provide in back panel of unit)

When fitting a basin to a unit, a bead of silicone should be applied to the top edge of the basin unit to seal between the basin and unit.

Please spend 5 minutes reading this section before commencing with the installation of your new furniture.

1. Should any of your items have a defect, please do NOT install as returns will not be accepted once fitted.
2. We advise that you use a qualified person to install your units, as any issues relating to poor fitting will not be accepted by the supplier.
3. You have purchased a handmade and in some cases hand painted product. Therefore, you may see some slight imperfections which the supplier may deem as acceptable.
4. This product is water resistant but NOT waterproof. On no account should any spillages or splashes, even water, be allowed to lie on any surface. All spillages and splashes should be wiped dry, failure to do so may shorten the life expectancy of the product and invalidate any guarantees.
5. Please avoid direct sunlight as this will cause the painted surfaces to discolour.
6. Due to motion in transit, the cabinet doors and drawers may need to be adjusted after installation.
7. Floor Standing units must be fitted back to the wall through the backrail using suitable fixings. (not supplied)
8. Basin units should be fitted as above. The basin should also be secured where applicable using Fischer bolts through the fixing points under the basin. (not supplied) Note that not all basins have this facility.
9. Wall Hung units must be secured back to the wall using the wall hanging brackets or suitable wall fixings when not supplied. Additional support is recommended using 'L' brackets. (not supplied)
10. When fixing to a stud or panelled wall, appropriate frame work should be installed to support the basins and units.
11. Where units or worktops have to be cut-out for services, all raw edges MUST be sealed against water ingress.

Hinge Adjustment

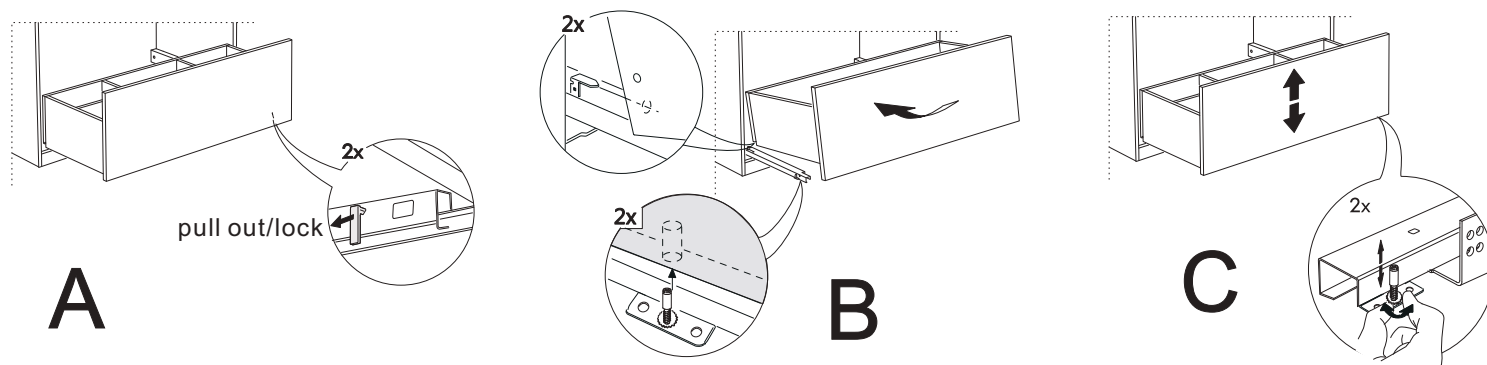


Drawers Remove/Install

To Remove the Drawer: Follow step 'A' and remove the fastener then follow step 'B'.

To Install the Drawer: Follow step 'B' and then follow step 'A' to lock the fastener.

Drawer position: If drawer position needs altering follow step 'C' to adjust the screw.



BATHROOM FURNITURE CUSTOMER CARE GUIDE

Please note that although these units have been designed to give years of pleasure and satisfaction, you will help maintain the original beauty of your bathroom by following these guide lines.

Melamine, Vinyl and Foil Wrapped Doors

Occasional marks, can in most cases, be removed with a soft damp cloth. More persistent marks can be removed using a non silicone based furniture cleaner. Hot soapy water should be avoided. Once the mark is removed, the area should be wiped over with a damp cloth to remove any excess and dried with a soft clean cloth. On no account should solvent or an abrasive cleaner be used as permanent damage to the finish could take place.

High Gloss Doors

Use a cleaning product not containing aggressive substances like acetone, alcohol, bleach ... as those components could seriously damage the surface of the door. The best would be to use a soft cotton or micro fibre cloth with only water and soft soap (containing a maximum 1% of liquid soap)

Carcase Components

Do not use polish on any surfaces. A damp cloth with soapy water will clean off most marks or spills. Bleaches, scouring pads and multi-surface cleaners should not be used.

Drawers, Runners, Door Hinges

These should be wiped out with a damp soapy cloth and wiped dry with a soft cloth as necessary. The roller runners and hinges are lubricated and should not be cleaned with a degreasing agent as this will affect the action of the moving parts. Never lean on partially or fully opened doors and drawers in order to gain access to the units. The hinges are specified to adequately support the weight of the door, plus small additional weights such as wire accessories. It is advised that once the bathroom has been installed you should check every six months that all screws on the hinges are tight.

Worktops

Although the worktop is hard wearing, sharp objects will scratch and excessive heat will scorch the surface. Care should be taken not to drop any heavy objects onto the worktop as the surface may crack. For cleaning, a damp soapy cloth will clean off most spills. Bleaches, scouring pads and multi-surface cleaners should not be used. Corrosive liquids and make-up should be wiped off immediately. On no account should any spillage, even water, be allowed to lie on the surface.

Temperature and Humidity

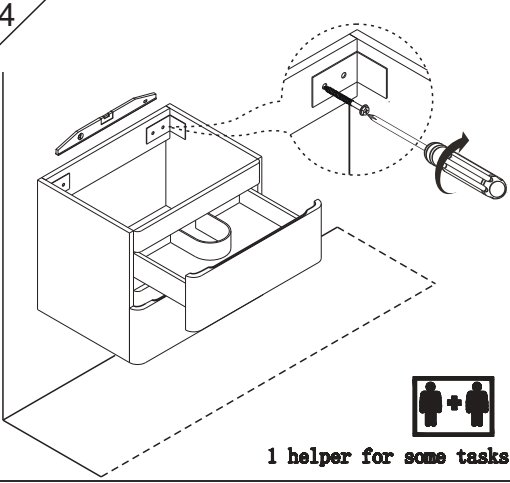
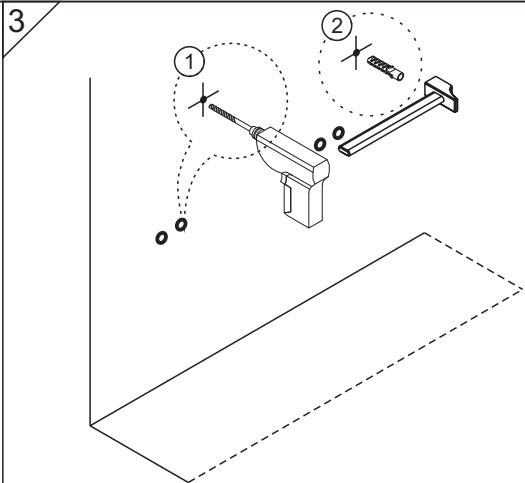
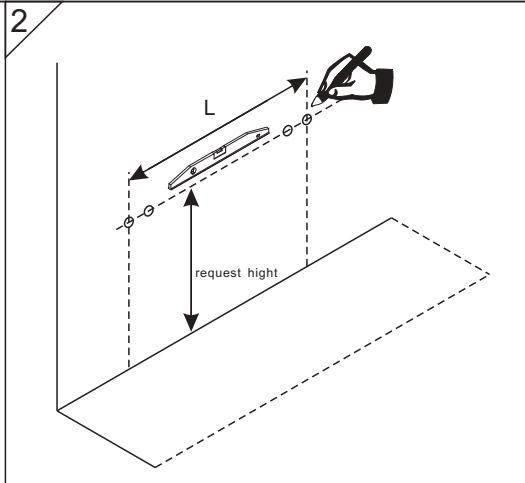
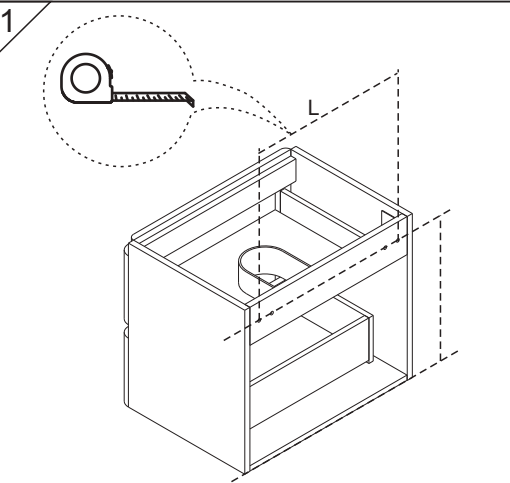
Avoid excessive change in temperature and humidity. Always try to ensure adequate ventilation.

General care, spillages and splashes

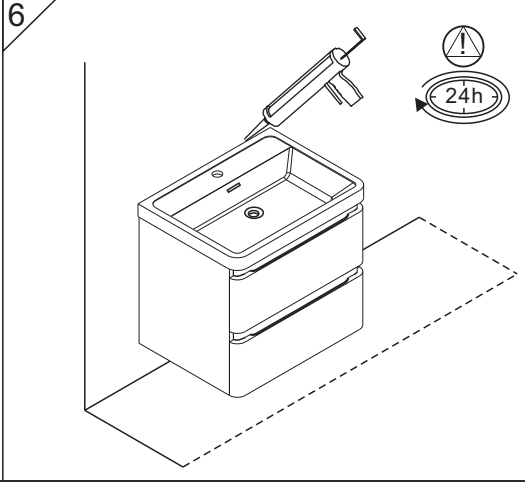
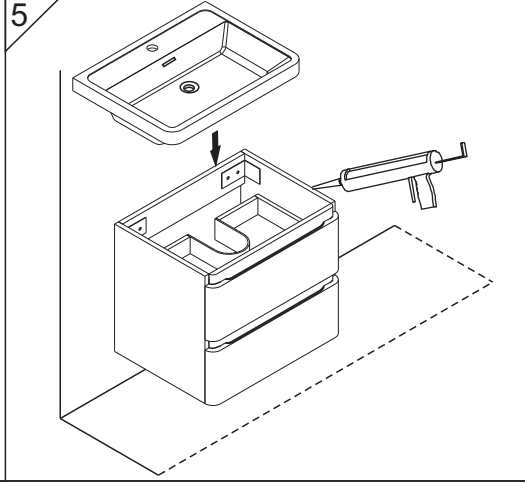
On no account should any spillages or splashes, even water, be allowed to lie on any surface. All spillages and splashes should be wiped dry, failure to do so may shorten the life expectancy of the product and invalidate any guarantees.

Wall hung unit installation. (fixings in box)

Please measure the L distance between each brackets on unit. and H (height as customers request. The standard height is 850mm (including basin height) from floor to wash basin

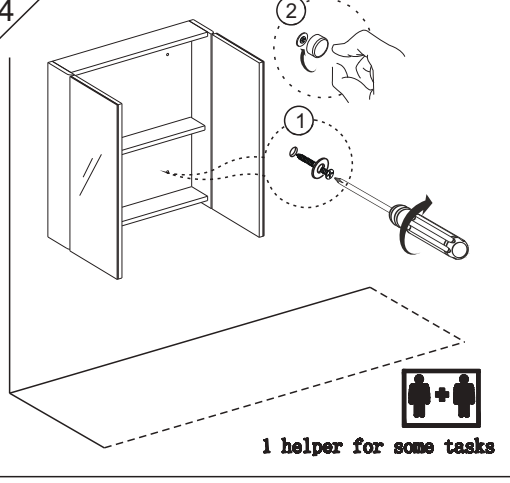
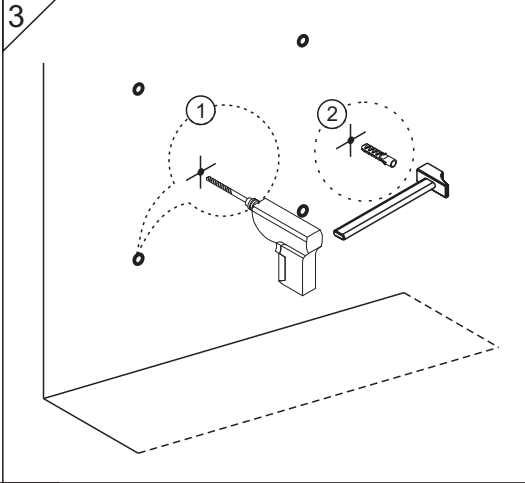
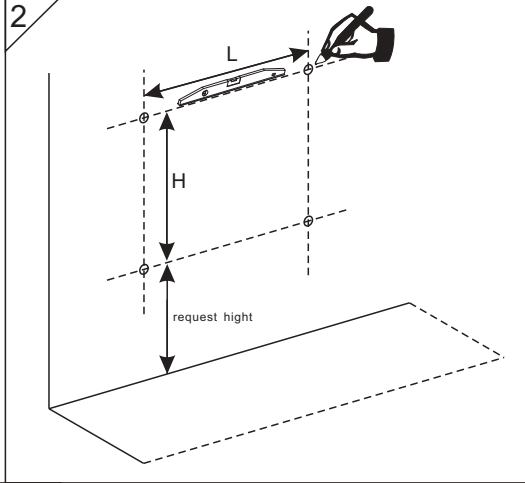
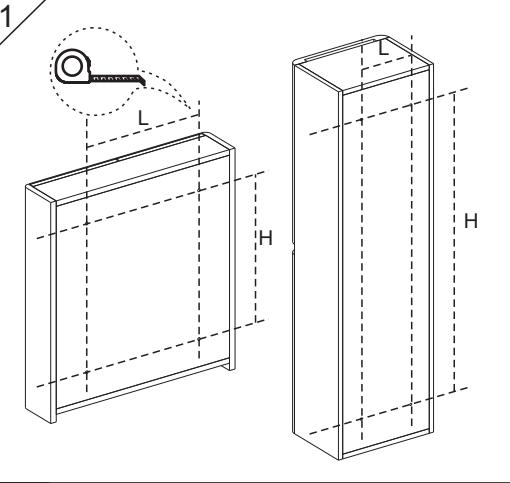


1 helper for some tasks

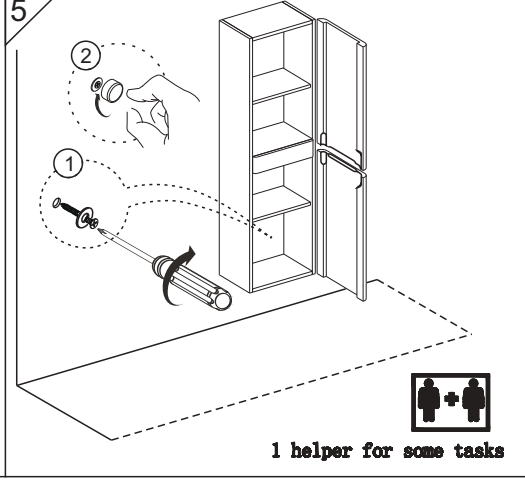


Mirror cabinet and Storage unit. (plug screws with chrome covers in box)

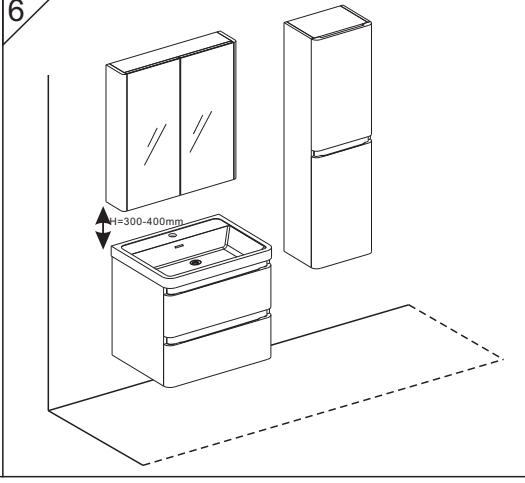
Please measure the L&H distance between each pre-drilled holes on products. and fixing them as below steps. the distance will be 300-400 the mirror cabinet to basin as below . the distance from floor to bottom of storage as customer requests.



1 helper for some tasks

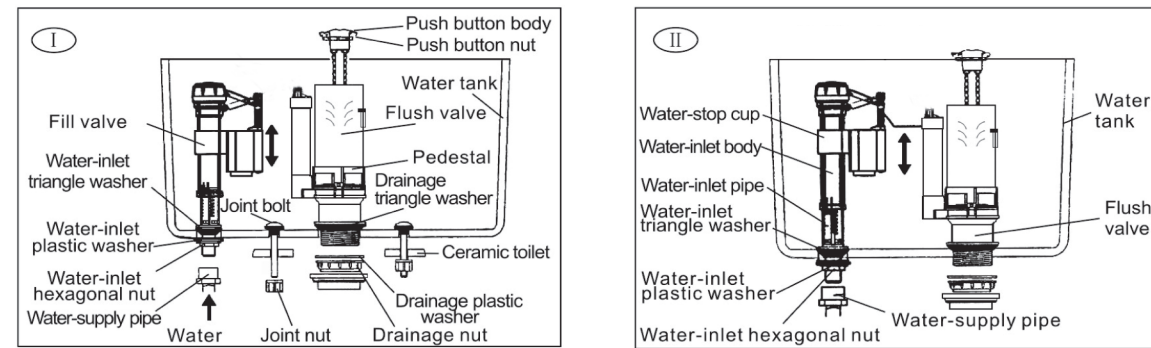


1 helper for some tasks



Dual Flush Valve Instruction

Installation Layout



Tip

1. Read all manipulation and installation guideline, and please install it step by step according to the installation guideline and prevent any damage from product breakage and improper use.
2. All material are written according to the latest information when design. Our company reserve the right to change product characterizes, package and supply at any time without notice.
3. Do not use corrosive detergent (such as hypochlorite) in water tank because such strong oxidant makes fittings damaged easily and lead to leakage. The mentioned above situations are beyond the range of our guarantee.
4. Our company do not bear the related loses and damages caused by use other company's parts and material such as glass glue.
5. Suitable temperature range: 0~45°C

Functional Instruction

1. The flush valve has 2 flushing ways: half-flush and full flush; when you push the full flush, the discharge volume is big and when you push the half flush, the discharge volume is small.
2. Water level of half flush is adjustable. (Refer to photo 6)
3. Water level of full flush is adjustable. (Refer to photo 3-2)

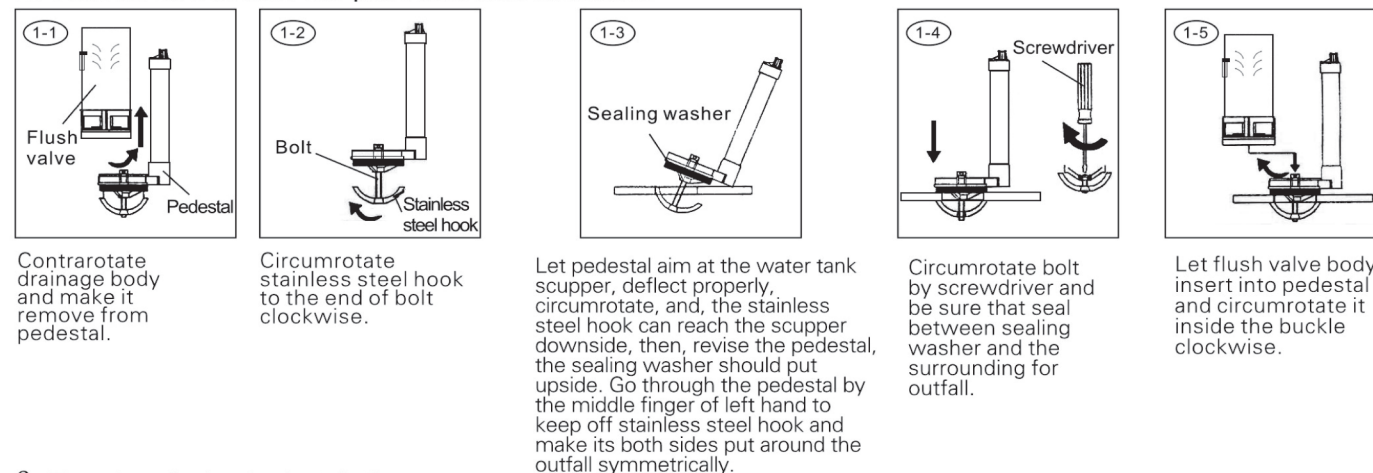
Installation Steps

I. Preparation before Installation

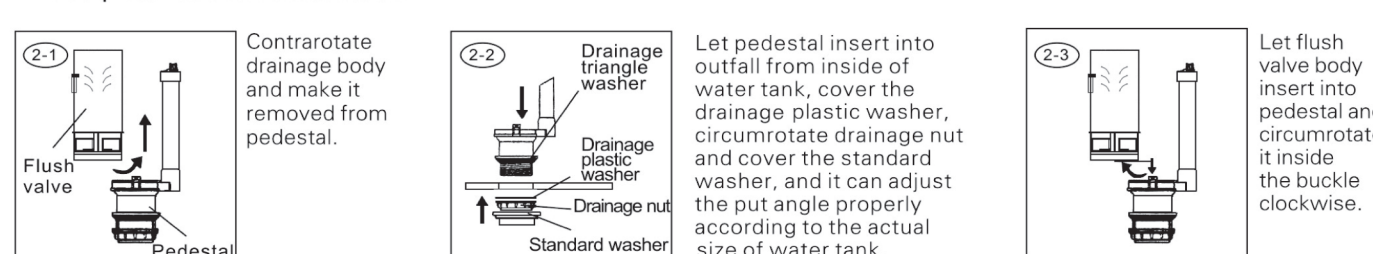
Remove the old fittings and wash tank before installation. And wash clean because many impurities probably existed in conduit.

II. Flush Valve Installation (According to the actual need)

1. Stainless steel hook for one-piece flush valve installation



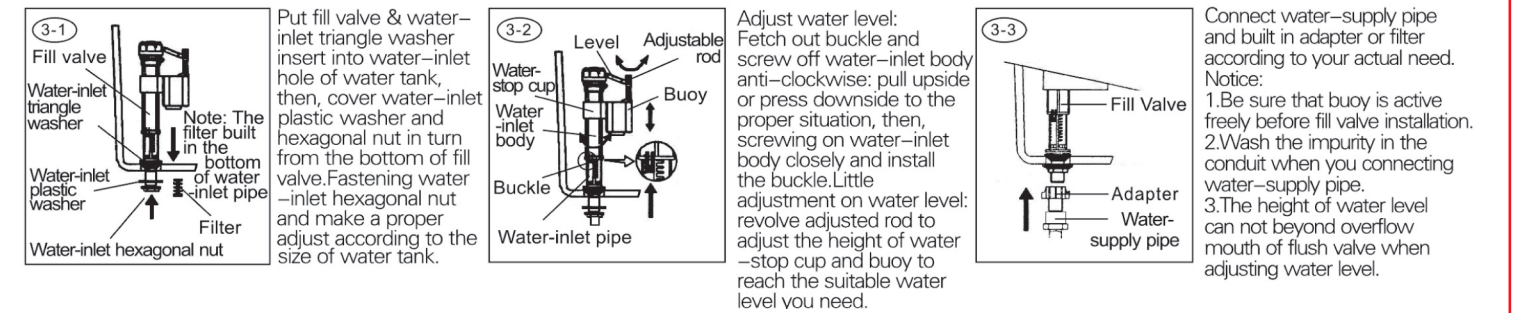
2. Two-piece flush valve installation



Notice: If the product is different from the photo shown, please refer to the actual product.

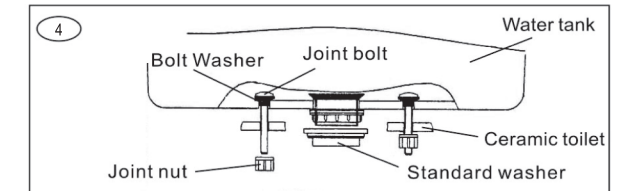


III. Fill Valve Installation

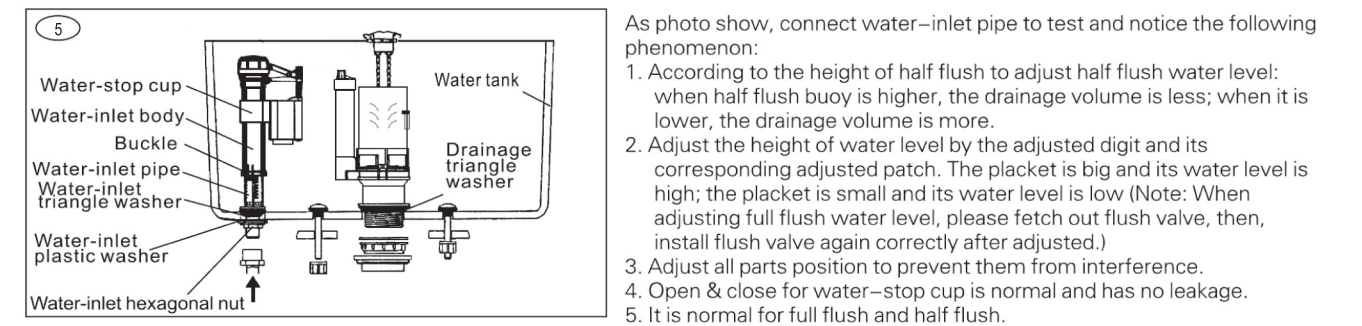


IV. Water tank Installation

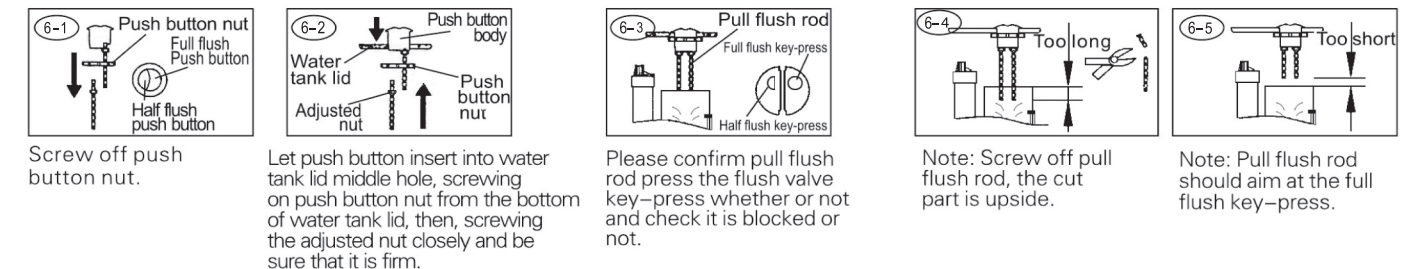
Put water tank on ceramic toilet and make standard washer located at the outfall of toilet. Just the photo shows, let jointed bolt insert into installation hole, then, screw the jointed nut closely.



V. Examination



VI. Push button Installation



VII. Examination Again

Cover water tank lid and notice the following phenomenon to confirm installation complete or not:

1. Open & close for water-stop washer is normal and has no leakage.
2. It is normal for full flush and half flush and they flush excellently.

Trouble Shooting

Symptoms	Probable Reasons	Corrective actions
Water level is too high or too low	Do not adjust the water level of fill valve well	Refer to photo 5 to adjust water level
Always water-inlet or do not water-inlet (for fill valve)	1. Switch of fill valve is close 2. Buoy is extrusive by water tank wall. 3. Filter has been blocked owing to bad water quality	1. Open the fill valve switch. 2. Adjust fill valve direction. 3. Wash filter (refer to photo 3-1).
Leakage	1. Fill valve nut is loose. 2. Flush valve does not installed well. 3. Pull flush rod is too long to cling outfall well (refer to photo 7-4). 4. Flush valve body and pedestal does not match well.	1. Screw the fill valve nut closely. 2. Install flush valve again according to its installation step. 3. A. Adjust the adjusted nut (refer to photo 7-2, 3, 4); B. Shorten the pull flush rod. A is prior to B. 4. Install again (refer to the installation of flush valve).
No drainage or less drainage	Pull flush rod is too short to press drainage pipe	Adjust adjusted nut (refer to 7-2).
Water level for half flush is too high or too low	Water level does not adjusted well	Adjust water level (refer to photo 6).

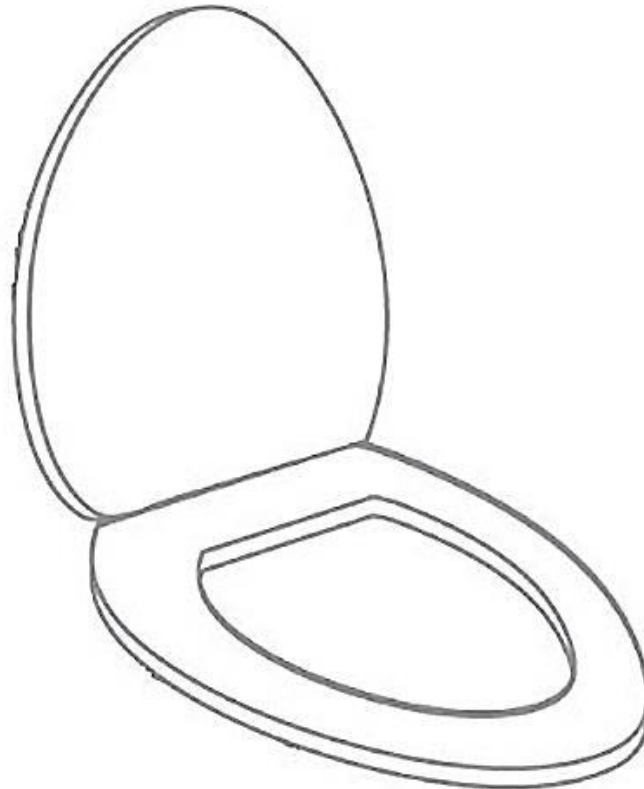
USER MANUAL



Thank you for choosing Better Bathrooms.
Please read this manual before installing your product
and keep for future reference.

better 
bathrooms

Top Fix Soft Close Toilet Seat



Please note: Image is for illustrative purposes only and may differ slightly to the actual product

- **Single-person assembly**
- **Tools required**
- **We always recommend using professional tradespeople to install your product**

V2_1.12.20

Congratulations on your purchase

And welcome to our growing gang of savvy shoppers

We're on a mission to bring you extraordinary bathroom products, for less. From modern to traditional style ceramics, plus the gorgeous fixtures, fittings and furniture to match. So, you can fall in love with your space every single day.

As one of the UK's largest independent bathroom stores, we've received countless awards; including the National Business Awards UK, the Digital Entrepreneur Awards and being placed on The Sunday Times Fast Track 100.

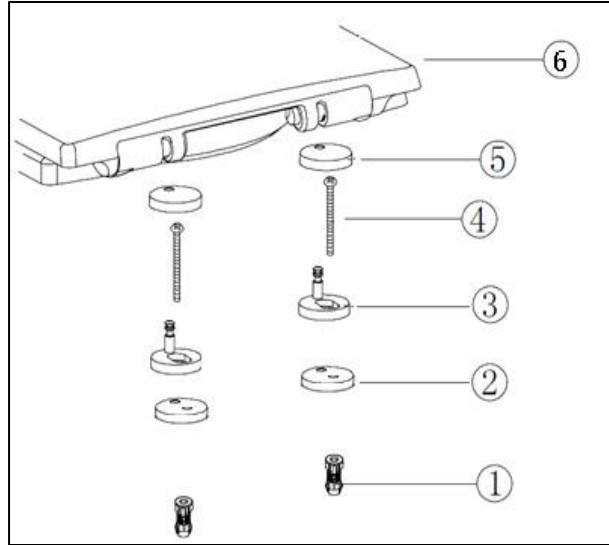
We hope your new product exceeds your highest expectations. However, if you experience any problems, please:

- call our friendly UK call centre on **0330 390 3062** (9am-7pm Monday to Friday, or 10am-4pm Saturday and Sunday), or
- send us a message via **customerservices@buyitdirect.co.uk**

Important information

- Please read these instructions thoroughly and retain for future reference
- Manufactured to BS EN 1254 – Specification for WC seats (plastics)

Parts



Please note that Parts are for illustrative purposes only and may differ slightly to the actual product

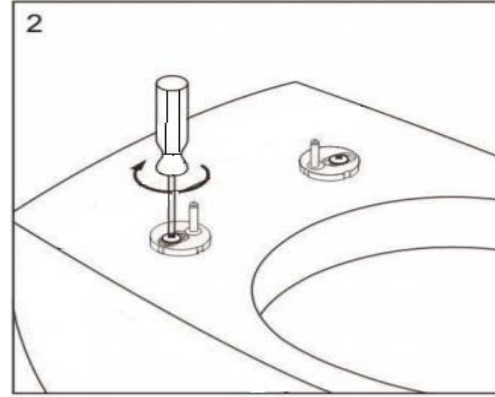
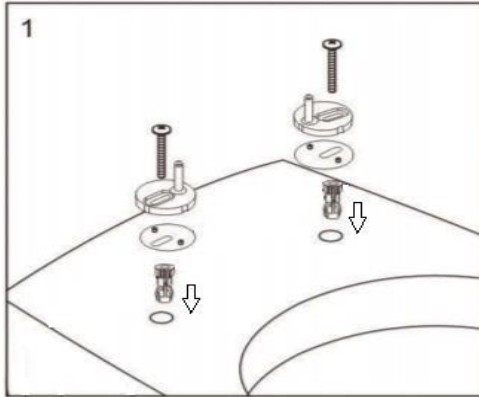
1. Expanding Plug
2. Gasket
3. Fitting Peg
4. Fixing Screw
5. Fitting Cover
4. Seat/Lid Assembly

Tools required

Screwdriver

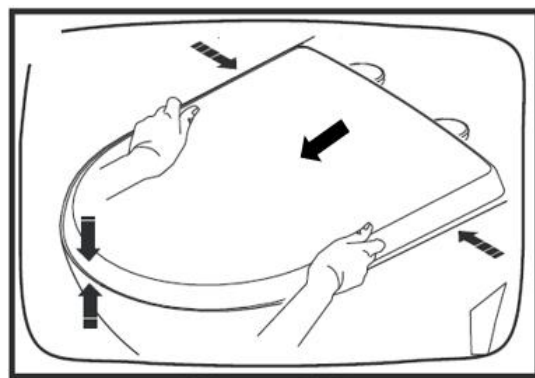
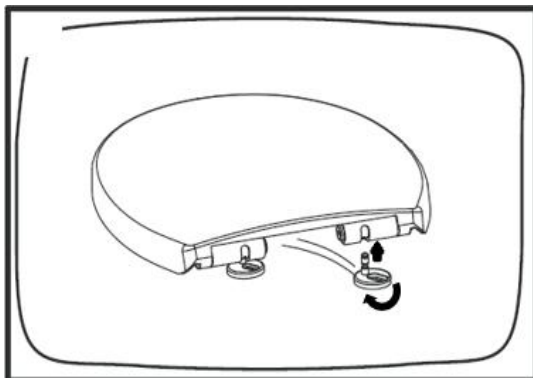
Installation

1. Push the expanding plugs (part 1) into the holes on the toilet pan then place the gaskets (part 2) between fitting pegs (part 3) and toilet pan. Next, place the long screws (part 4) through the fitting pegs and gaskets and screw into the expanding plug (part 1).

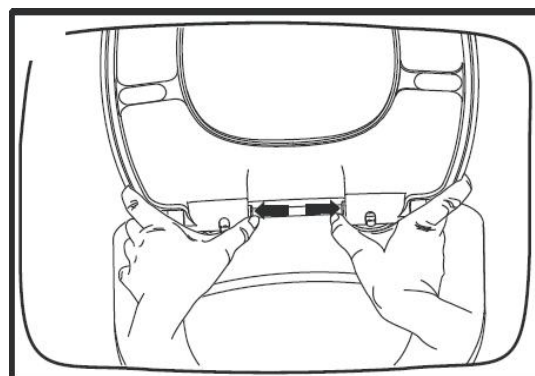
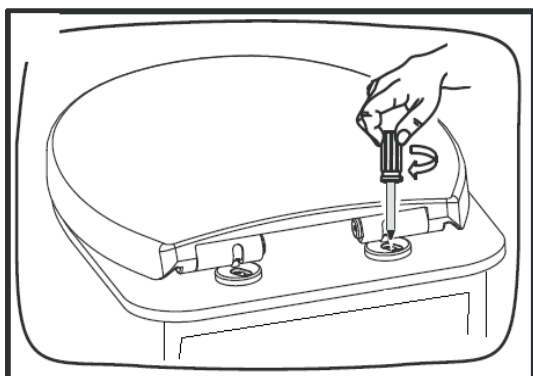


Please note: Fit the screws loosely and do not fully tighten at this stage

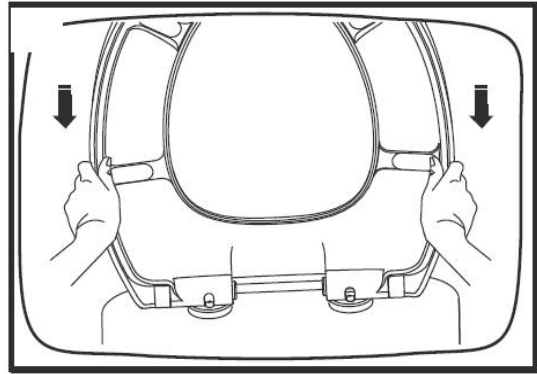
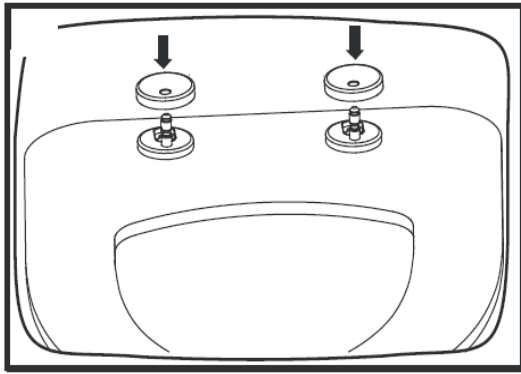
2. Turn the fittings on the toilet so that they align with the holes on the seat, then push the seat onto the pegs until it clicks into place. Gently move the seat so that it aligns on the toilet pan.



3. Once the seat is aligned, tighten the screws into the fittings (as below) then once the seat is secured, remove it by pressing both buttons and lifting away.



4. Place the fitting covers over the fixed fittings then push the seat onto the fitting pegs and click into position



Using

During use do not force the seat closed as this will damage the soft close mechanism.

Pull the seat and/or lid towards you slightly until it reaches the point at which it will fall under its own weight, then release.

Do not stand on the toilet seat.

Cleaning

To maintain the surface of your product, wipe with a clean damp cloth and wipe dry, do not use any abrasive cleaning agents or materials.

It is recommended to wipe the seat and fittings on a regular basis.

Troubleshooting

Seat becomes loose after a period of use

Remove the seat and re-tighten the fittings.

Soft close mechanism stops working

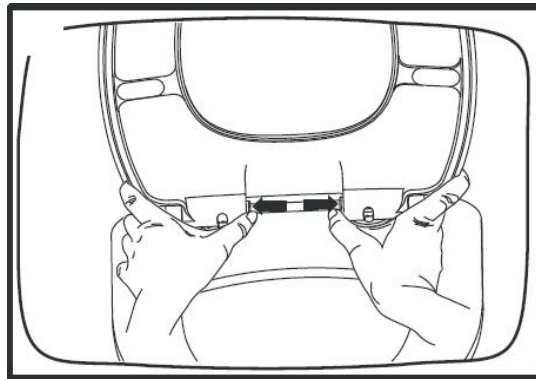
The mechanism cannot be replaced, replace the seat and lid, however, the fittings can remain fitted. Removal of seat/lid is advised in Maintenance (below).

Seat is short or overhangs the toilet pan

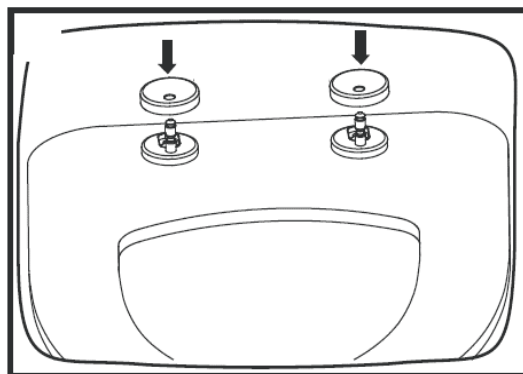
Align the seat lid with the front edge of the toilet pan, the fittings are adjustable.

Maintenance

- To remove the seat/lid, press the two buttons at the rear of the seat and pull the seat/lid away from the fitting pegs. When replacing ensure it clicks into place.



- To access the fixing screws, remove the lid/seat as above, then pull off the covers.



For more information

- visit betterbathrooms.com
- email customerservices@buyitdirect.co.uk
- call 0330 390 3062
- write to Trident Business Park, Neptune Way, Huddersfield, HD2 1UA

**better
bathrooms**

Part of the BuyItDirect Group

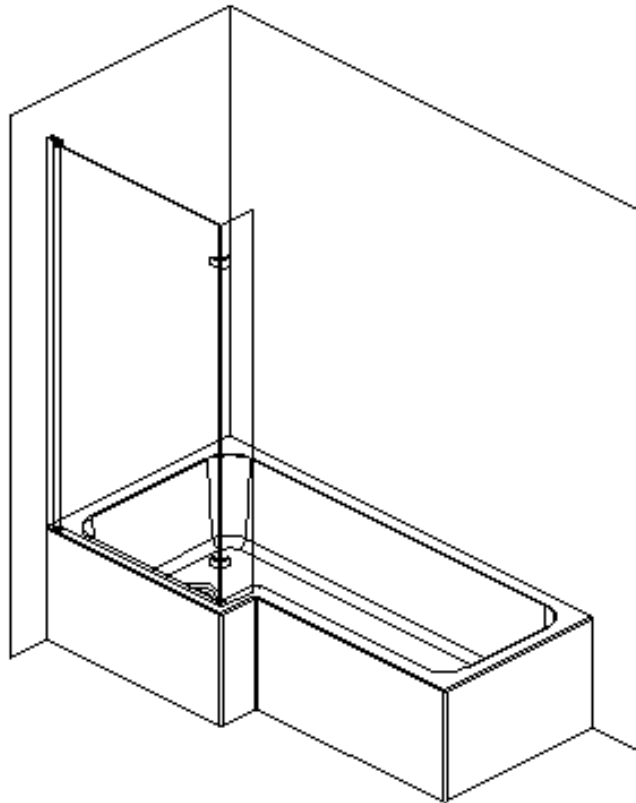
USER MANUAL



Thank you for choosing Better Bathrooms.
Please read this manual before installing your product
and keep for future reference.

better 
bathrooms

Maia L Shape 6mm Chrome Bath Screen BeBa_28043



- **Multi-person assembly**
- **Tools required**
- **We always recommend using professional tradespeople to install your product**

2021.8.23

Congratulations on your purchase

And welcome to our growing gang of savvy shoppers

We're on a mission to bring you extraordinary bathroom products, for less. From modern to traditional style ceramics, plus the gorgeous fixtures, fittings and furniture to match. So, you can fall in love with your space every single day.

As one of the UK's largest independent bathroom stores, we've received countless awards; including the National Business Awards UK, the Digital Entrepreneur Awards and being placed on The Sunday Times Fast Track 100.

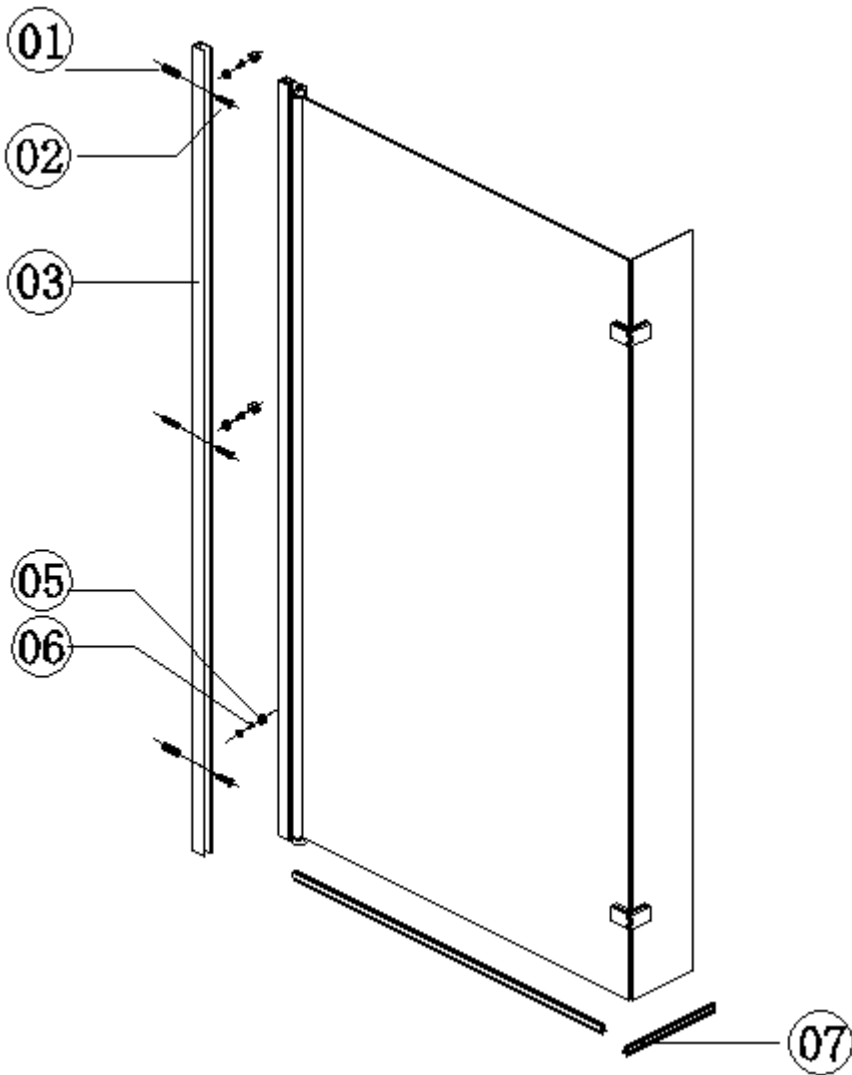
We hope your new product goes above and beyond your expectations. However, should any problems occur, please:

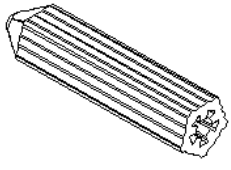
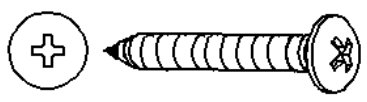
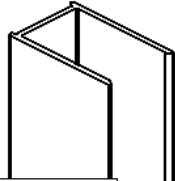
- log in to your account and contact our customer services team via your self-serve portal –betterbathrooms.com/Account/Login
- contact us via betterbathrooms.com/contact-us

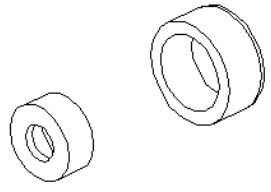
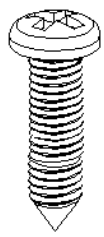
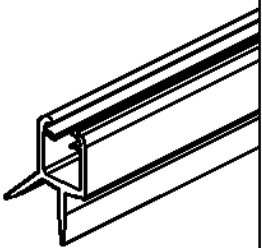
Important information

- Please read these instructions thoroughly and retain for future reference
- Manufactured to BS EN 14428
- Please check for pipes and cables before drilling
- Please check for damage prior to installation

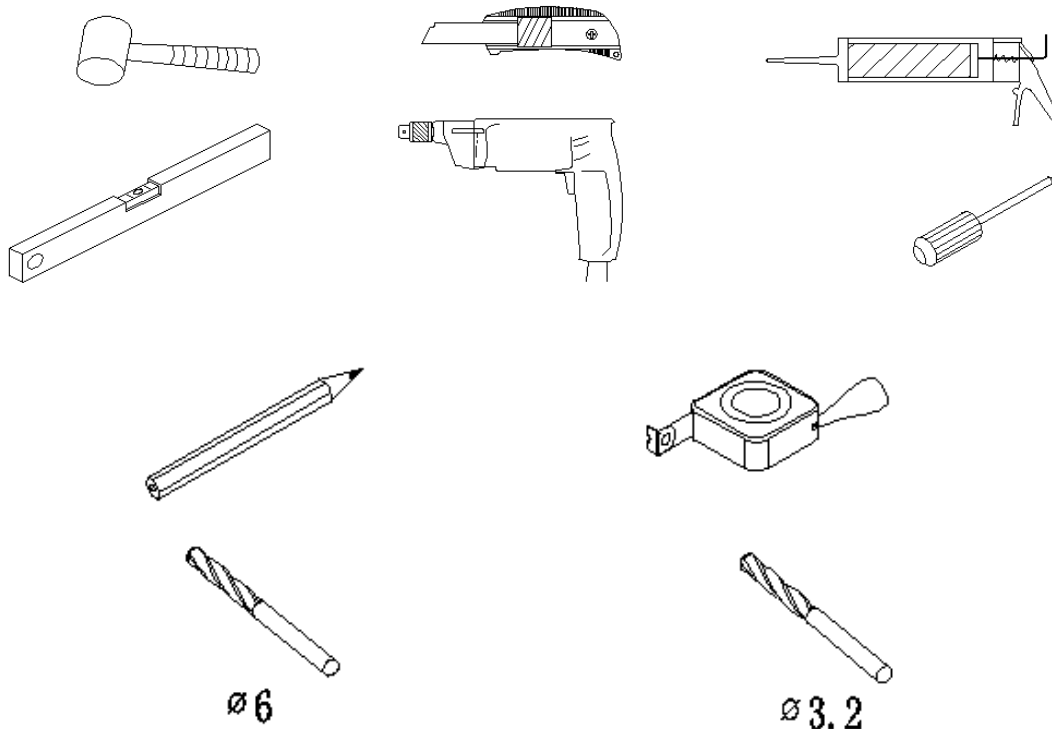
Parts / Diagrams



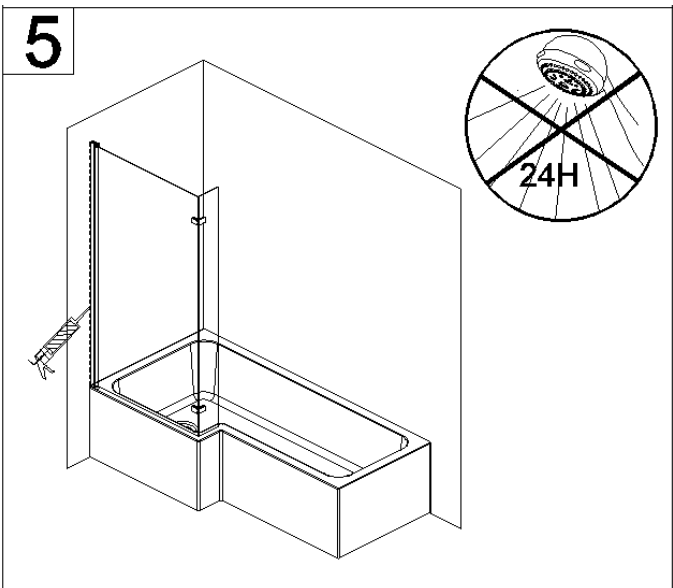
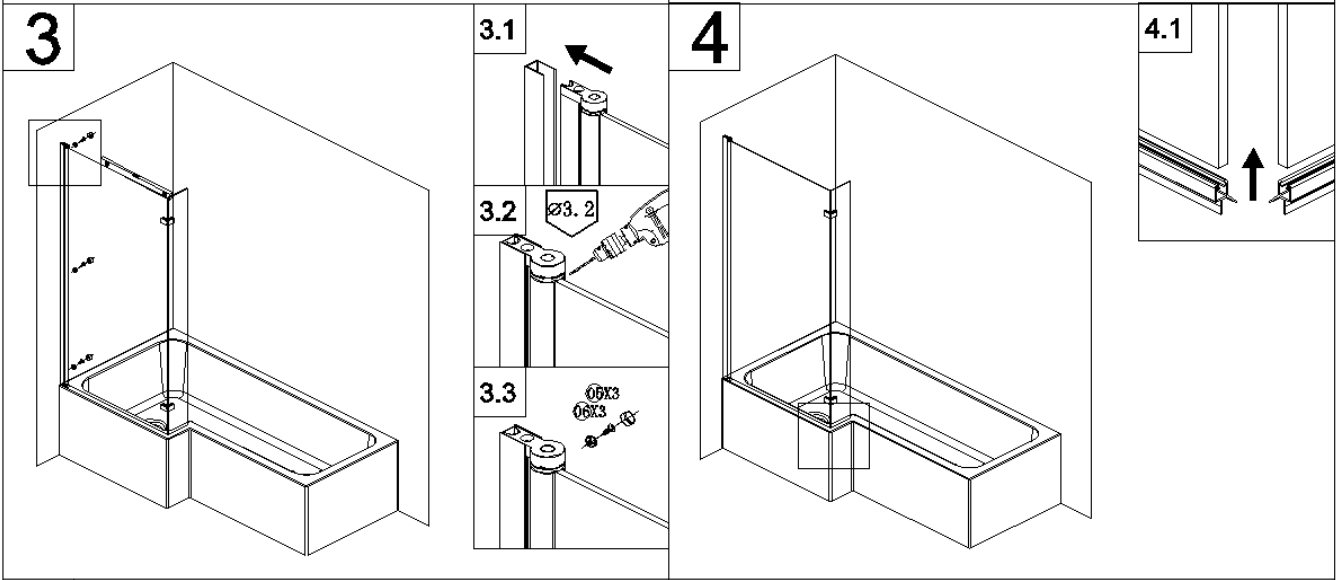
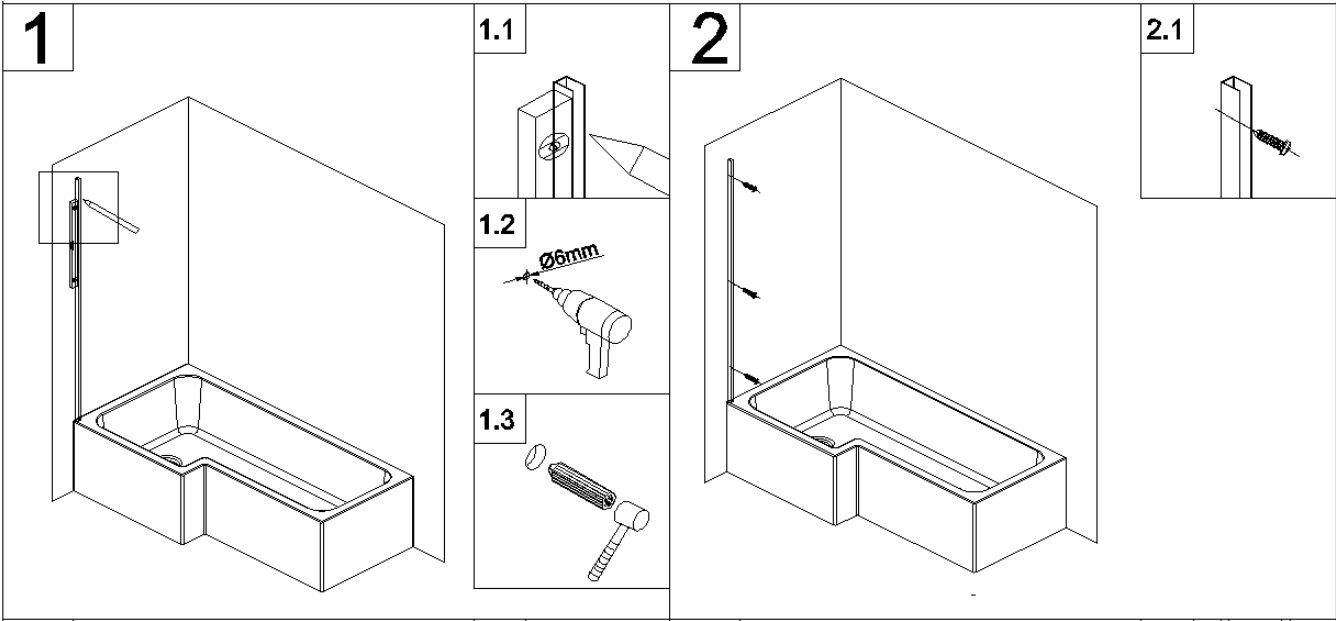
<p>01</p>  <p>3PCS</p>	<p>02</p>  <p>ST4*30</p> <p>3PCS</p>	<p>03</p>  <p>RA-09W06</p> <p>1PCS</p>
---	---	---

<p>05</p>  <p>RA-09Y07</p> <p>3PCS</p>	<p>06</p>  <p>ST4*12</p> <p>3PCS</p>	<p>07</p>  <p>RA-09Z09</p> <p>2PCS</p>
---	---	---

**Tools required
(Tools not provided)**



Installation



Cleaning

All parts of the product shall be cleaned with a cloth soaked in neutral detergent soapy water, Please do not use sharp tools such as blades to clean the shower door.

Please do not use strong detergent, alcohol or any abrasive cleaning substances to clean the shower door if the stain is serious, a low concentration of vinegar can be used, but must be rinsed with clean water afterwards.

For more information

- visit betterbathrooms.com
- email customerservices@buyitdirect.co.uk
- call 0330 390 3062
- write to Trident Business Park, Neptune Way, Huddersfield, HD2 1UA

better 
bathrooms

Part of the BuyItDirect Group